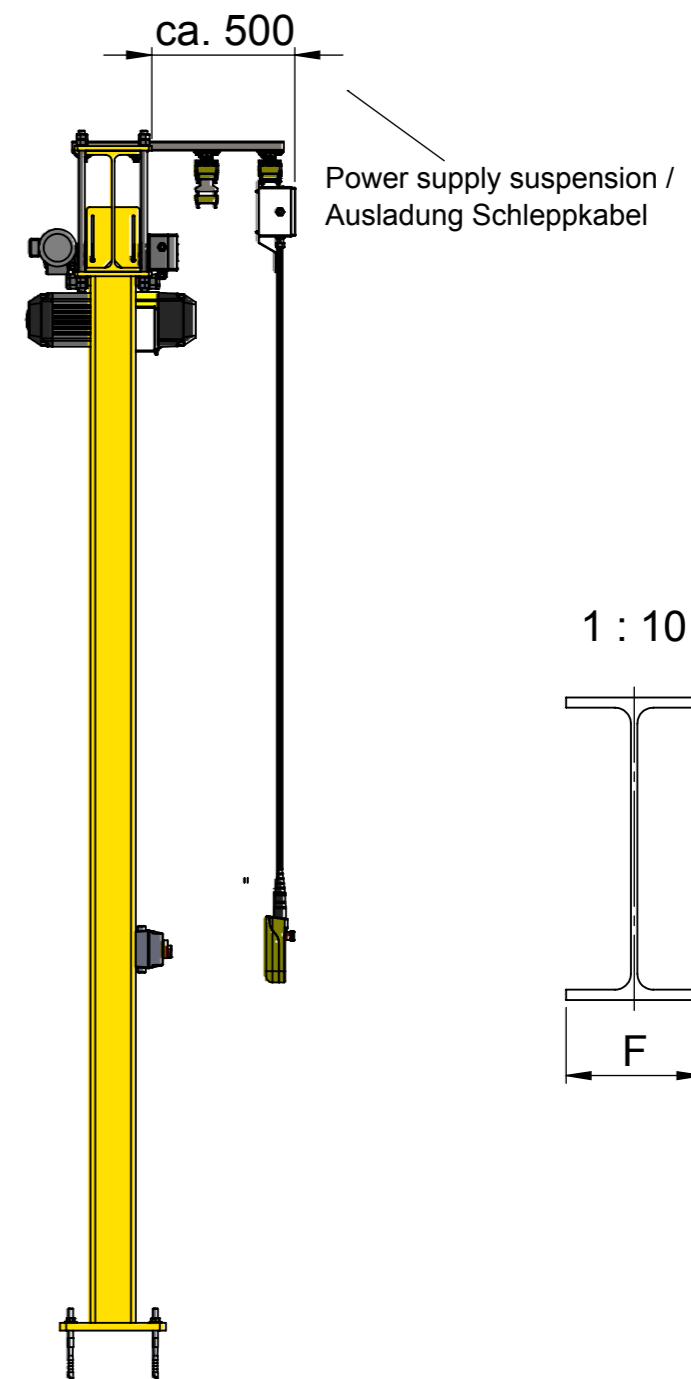
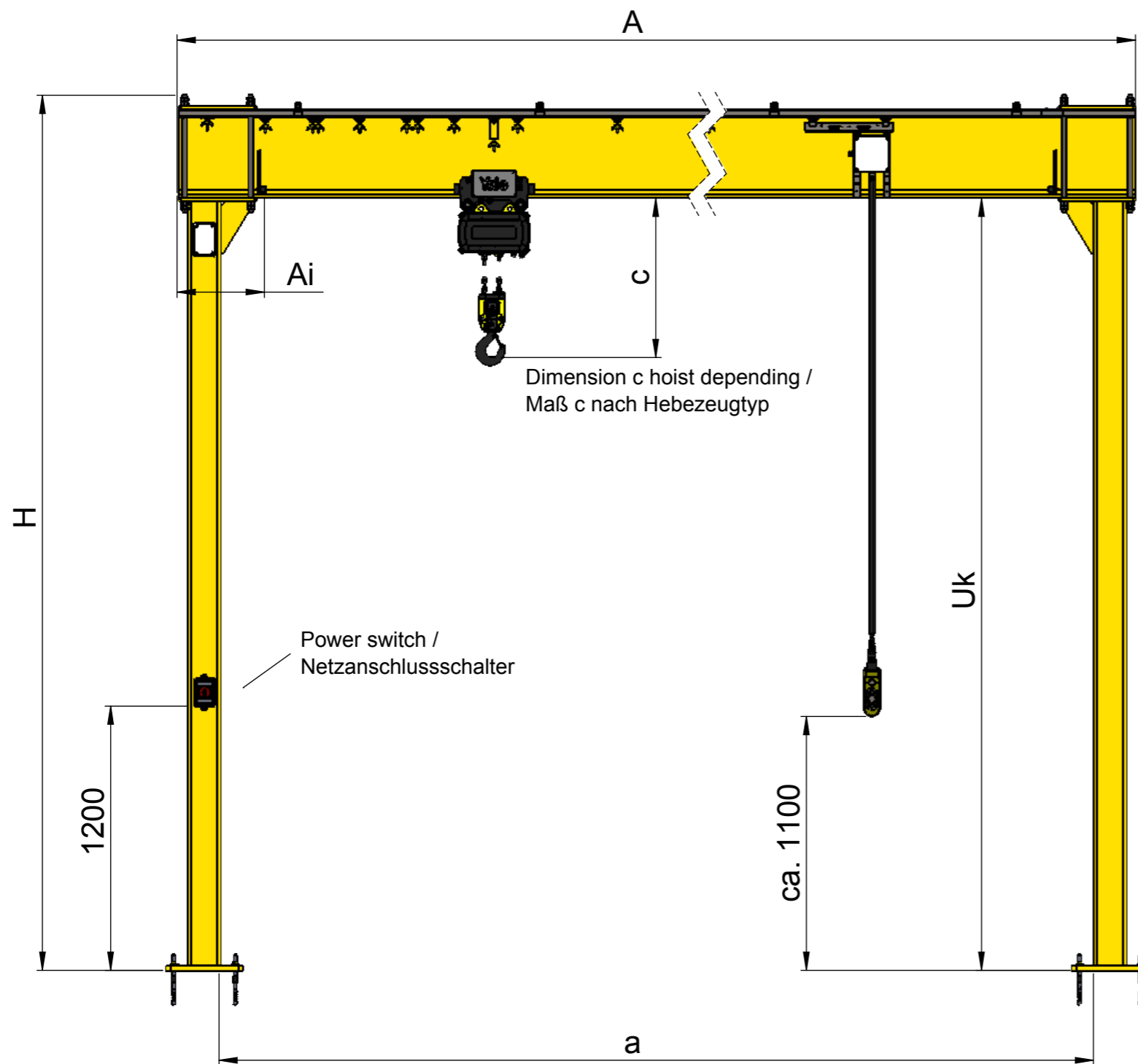


Subject to change. | Änderungen vorbehalten.



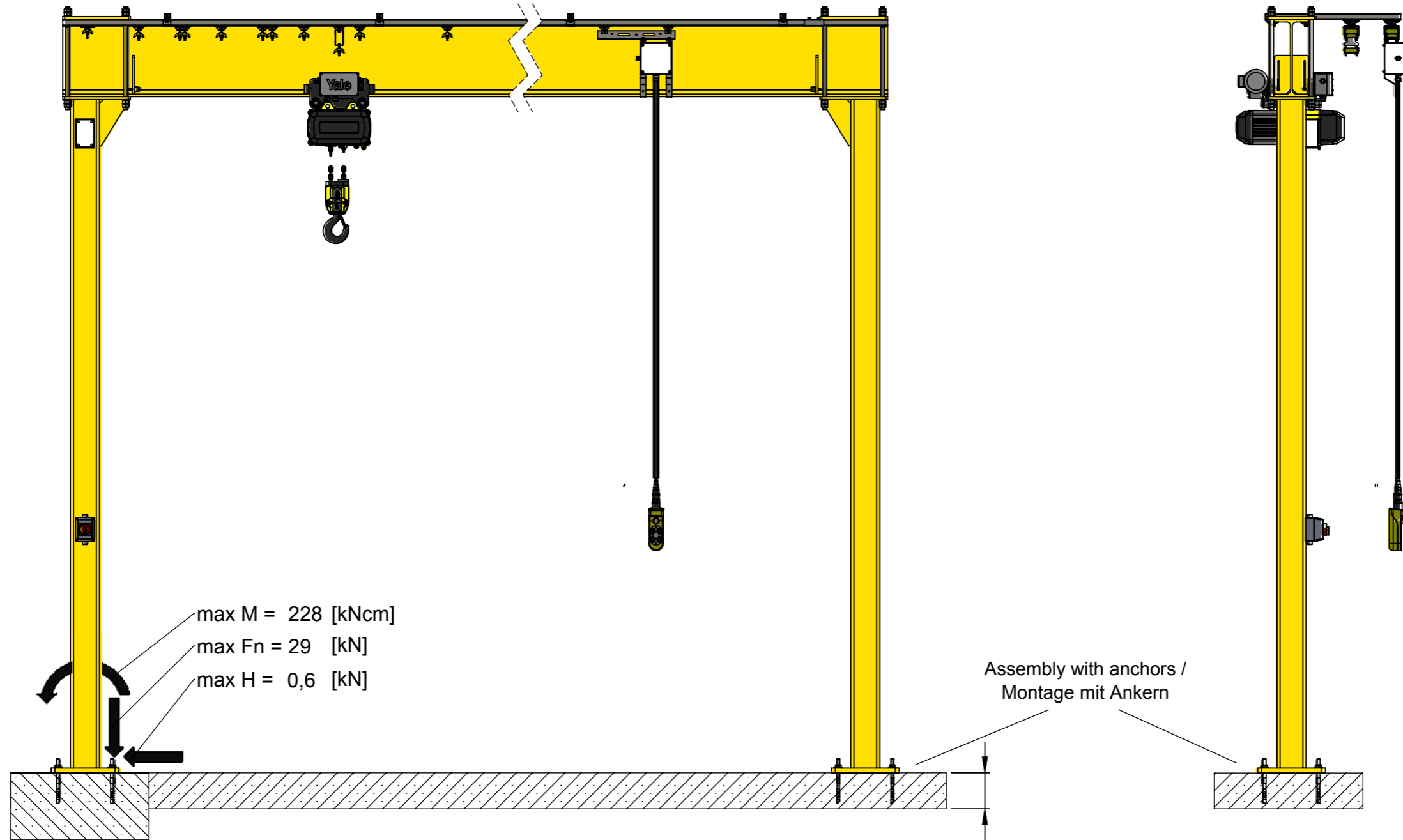
**Technical data / Technischen Daten**

Capacity / Tragfähigkeit		2000	[kg]
Total width / Gesamtbreite	A =	5380	[mm]
Overall height / Gesamthöhe	H =	3967	[mm]
Horizontal clearance / Lichte Weite	a =	5000	[mm]
Beam clearance / Lichte Höhe (Unterkante Träger)	Uk =	3500	[mm]
Dead zone (Buffer) / Anfahrmaß (Puffer)	Ai =	396	[mm]
Flange width / Trägerflanschbreite	F =	180	[mm]

Hoist only for visualization purposes. / Elektrokettenzug nur für Ansichtszwecke.

		Part name				Quantity:	
		0046.19 CMCO-100_200 Setup				1	
		Drawing nr				Weight:	
		CMCO-100_200_35_50				680 kg	
Dimension in	Sheet	Size	Scale	Index	Date	Version	
mm	1 / 2	A3		PW	2019-04-10	1.0	
General tolerances for nominal dimension without specified tolerance: IT 13 The Information Contained In This Drawing Is The Sole Property Of Columbus Mckinnon Corporation. Any Reproduction In Part Or As A Whole Without The Written Permission Of Columbus Mckinnon Corporation Is Prohibited.							

Subject to change. | Änderungen vorbehalten.



max M = 228 [kNcm]  
 max Fn = 29 [kN]  
 max H = 0,6 [kN]

Assembly with anchors /  
 Montage mit Ankern

Flooring < 200, a plinth should be made /  
 Bei Schichtdicke < 200, Betonsockel notw.


Thickness min. 200, min. C20/25 /  
 Betondicke min. 200, min. C20/25

Max. foot pressure on the foundation 18 [N/cm²] /  
 Max. Bodenpressung in der Trennfuge Fundament/Erdreich 18 [N/cm²]

**Basic information / Informationen**

Performance and classification. / Leistung und Klassifizierung. DIN EN 13001 HC2 / S2	
Design and production / Design und Fertigung	Columbus McKinnon Polska
Total mass / Gesamtgewicht	680 [kg]
Max. weight hoist / Max. Gewicht des Hebezeugs	170 [kg]
Max. lifting speed / Max. Hubgeschwindigkeit	8 [m/min]
Max. hoist speed / Max. Fahrgeschwindigkeit	25 [m/min]
Required power / Motorleistung	2 [kW]
Power supply / Stromversorgung	3x400 ; 50 [V] ; [Hz]
Class of protection / Schutzklasse	IP54
Color / Farbe	RAL 1003 <span style="display: inline-block; width: 20px; height: 10px; background-color: yellow; vertical-align: middle;"></span>

Manual or electrical hoist not within scope of delivery / Handhebezeug bzw. E-Kettenzug nicht Bestandteil der Lieferung.

 COLUMBUS MCKINNON		Part name			Quantity:	
		0046.19 CMCO-100_200 Setup			1	
Dimension in mm		Drawing nr		Weight:		
		CMCO-100_200_35_50		680 kg		
Sheet		Size	Scale	Index	Date	Version
2 / 2		A3		PW	2019-04-10	1.0

General tolerances for nominal dimension without specified tolerance: IT 13  
 The Information Contained In This Drawing Is The Sole Property Of Columbus McKinnon Corporation. Any Reproduction In Part Or As A Whole Without The Written Permission Of Columbus McKinnon Corporation Is Prohibited.